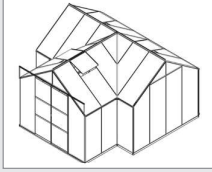


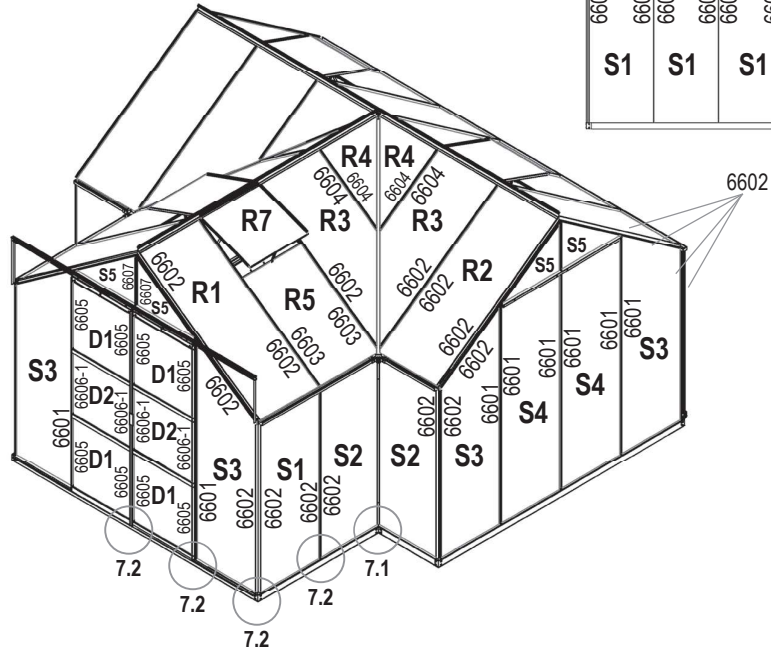
7



*	
6601	14x
6602	52x
6603	8x
6604	8x
6605	8x
6606	4x
6607	6x

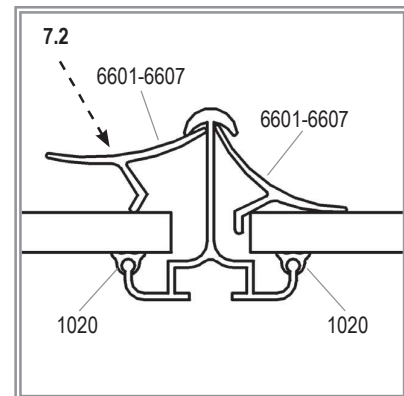
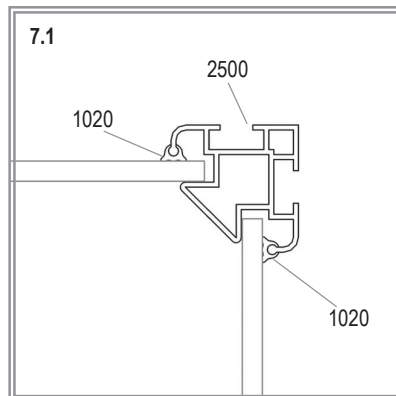
Part	Size (mm)	Cut	Part	Size (mm)
4x 6606	588	→	4x 6606-1	540

R1	R7	R1	R1	R7	R1
6602	6602	6603	6603	6602	6602
6602	6602	6602	6602	6602	6602
S1	S1	S1	S1	S1	S1



	No.	3 mm	13000
D1	3679011	610 x 610	4x
D2	3679141	610 x 540	2x
R1	3678231	612 x 1522	6x
R2	3678241	612/591 x 1522/1496	2x
R3	3678351	612 x 1483/737	4x
R4	3678261	593 x 724/0	4x
R5	3678271	612/591 x 982/956	2x
Total			24x

	No.	3 mm	13000
R6	3679681	612 x 982	2x
R7	3679491	600 x 544	4x
S1	3678301	612 x 1506	8x
S2	3678311	598 x 1506	4x
S3	3678321	612 x 1959/1530	6x
S4	3678331	612 x 1958	4x
S5	3678341	612 x 430/3	6x
Total			34x



VM0023-S