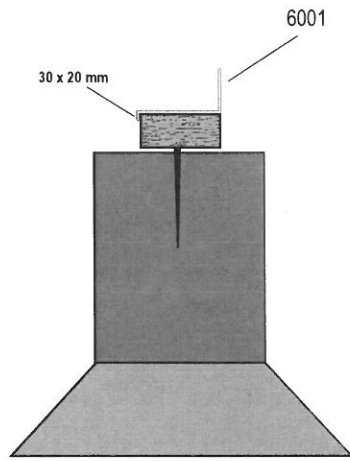
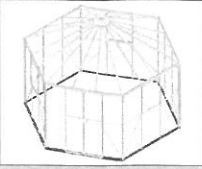
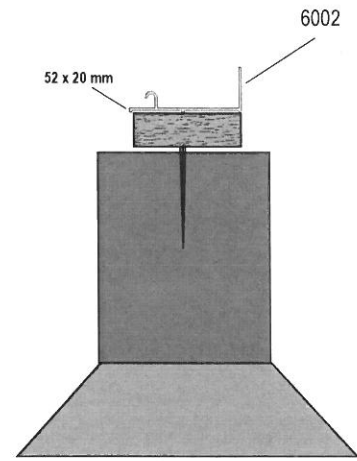


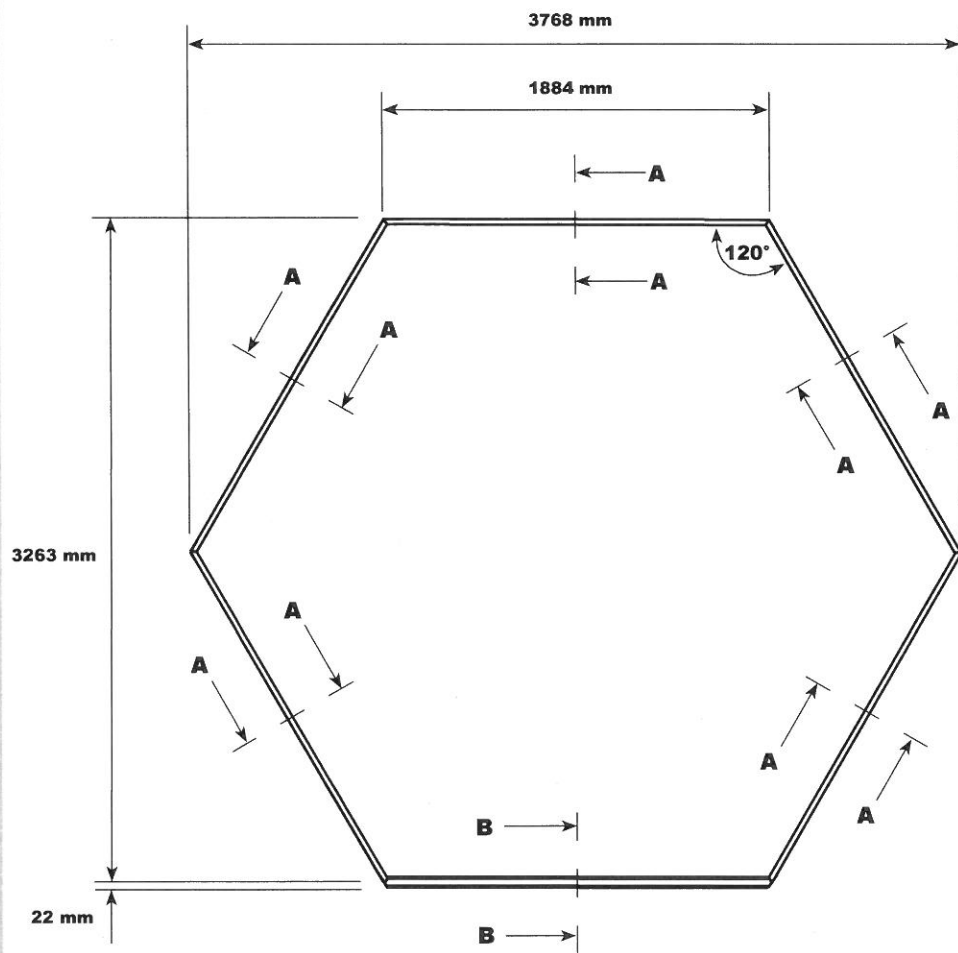
0



A - A

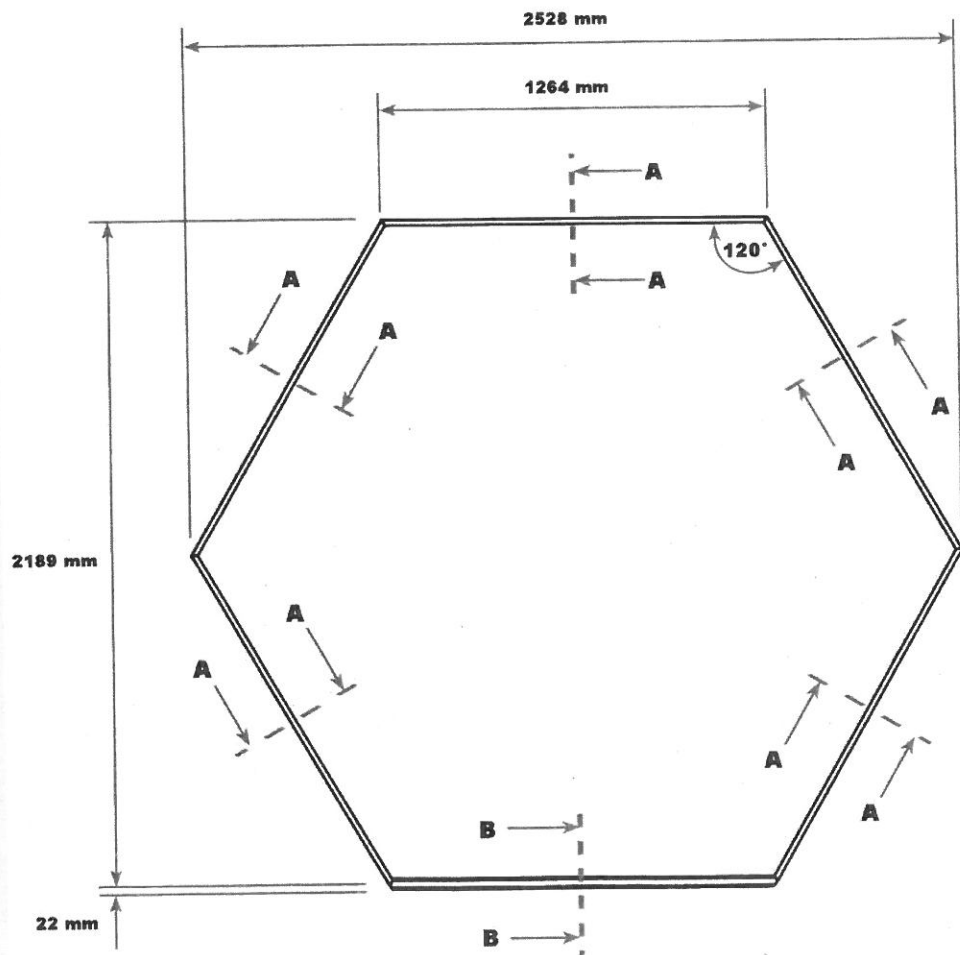
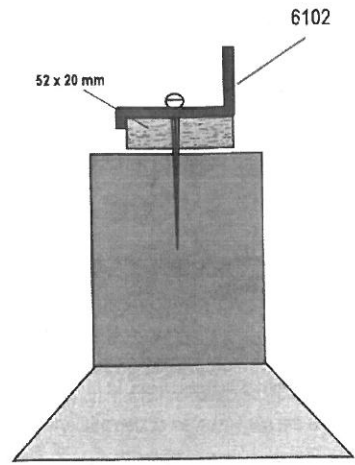
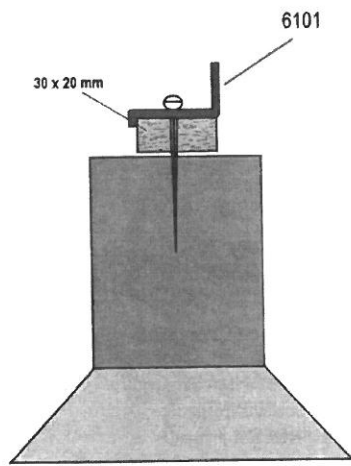
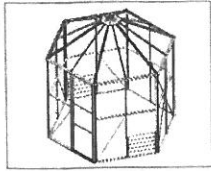


B - B



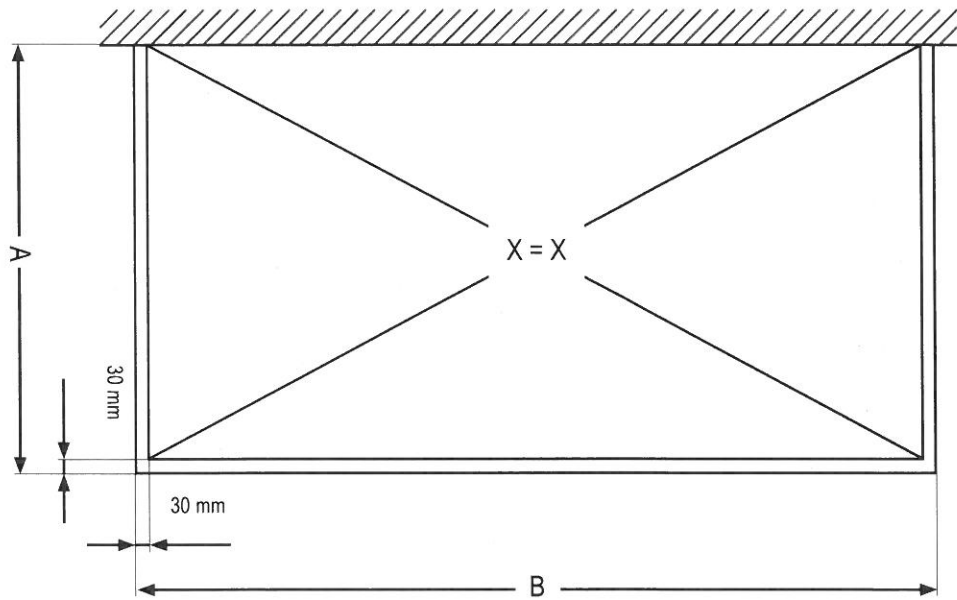
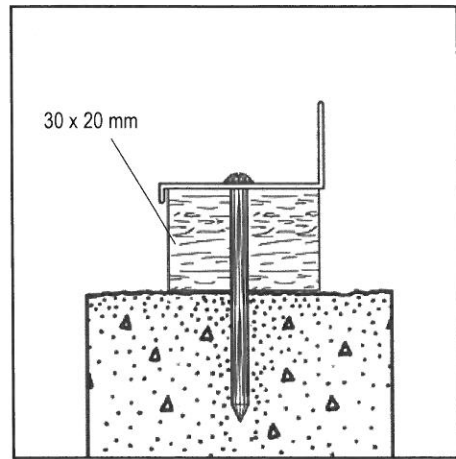
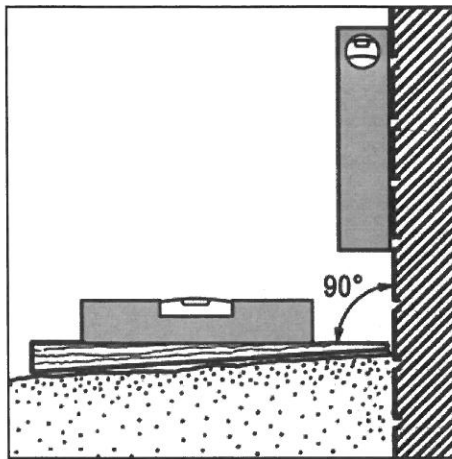
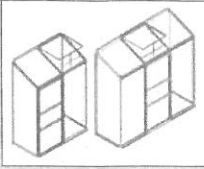
HERA 2 9000

0



HERA 4500

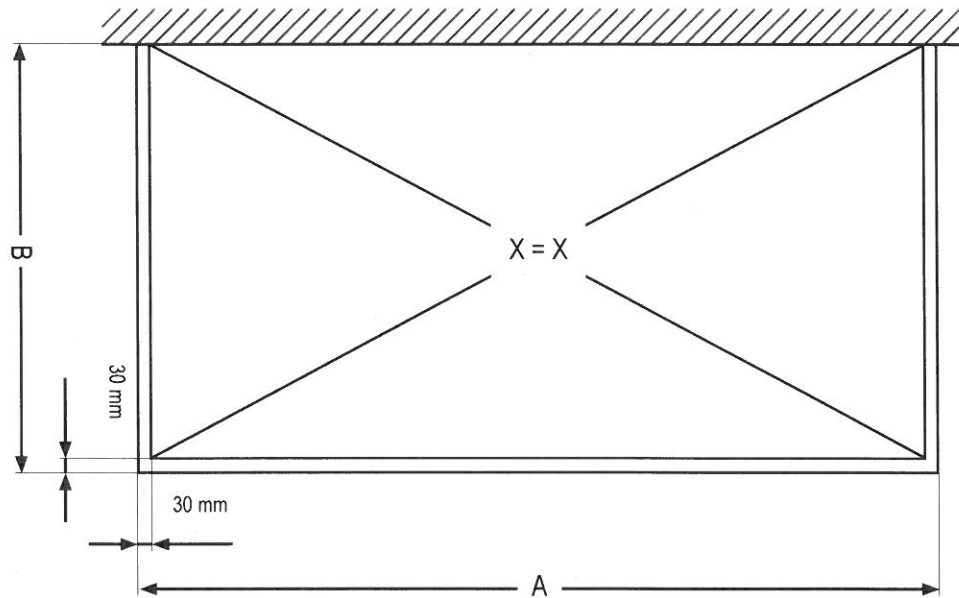
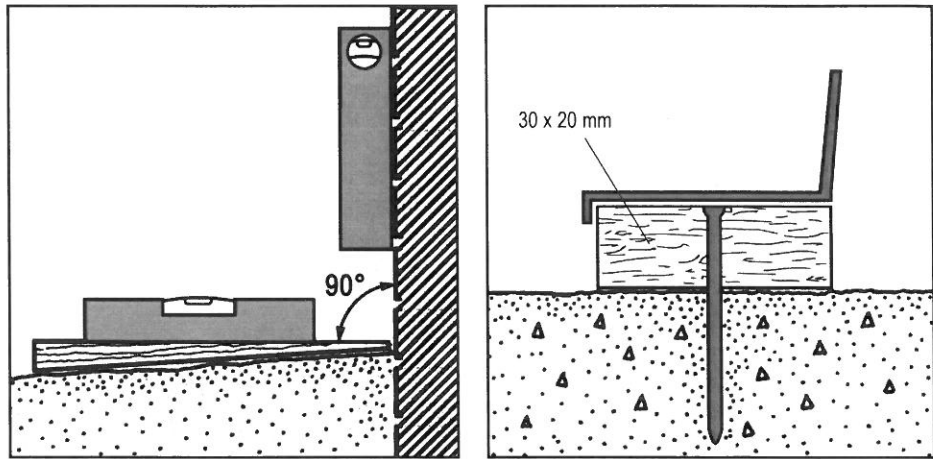
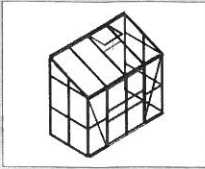
0



	900	1300
A	653 mm	653 mm
B	1300 mm	1922 mm

IDA 900/1300

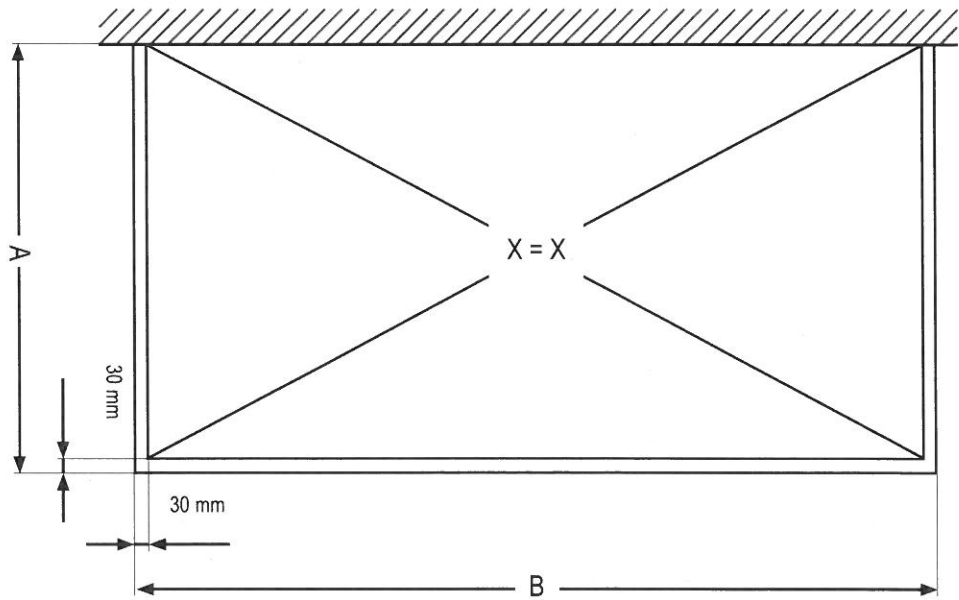
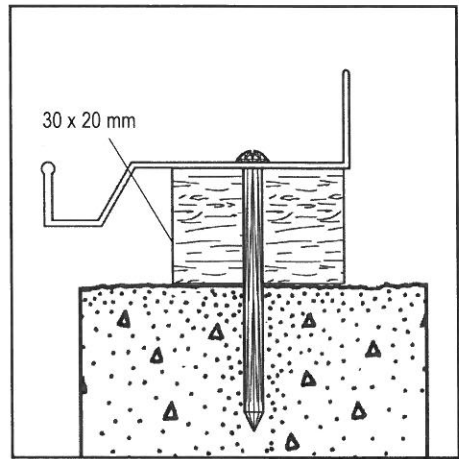
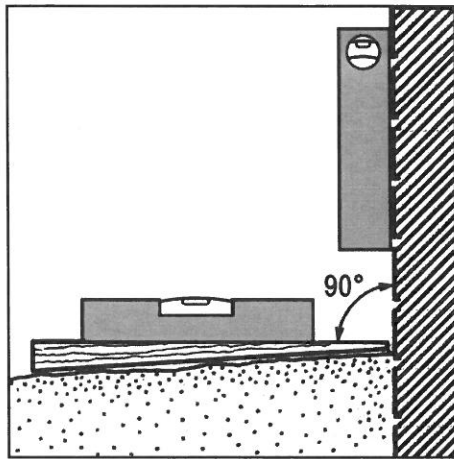
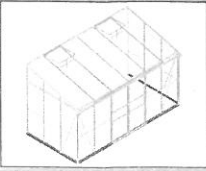
0



	IDA 3300
A	2544 mm
B	1279 mm

IDA 3300

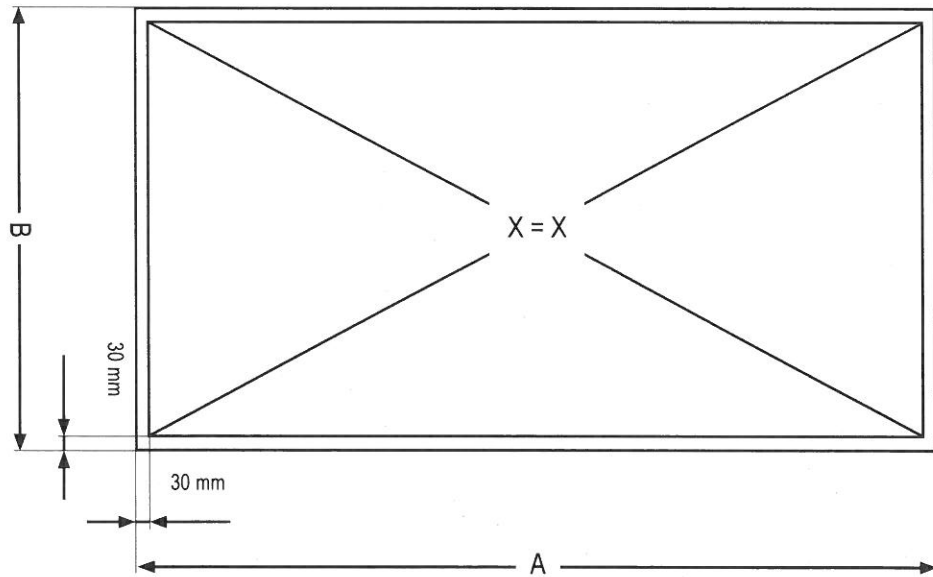
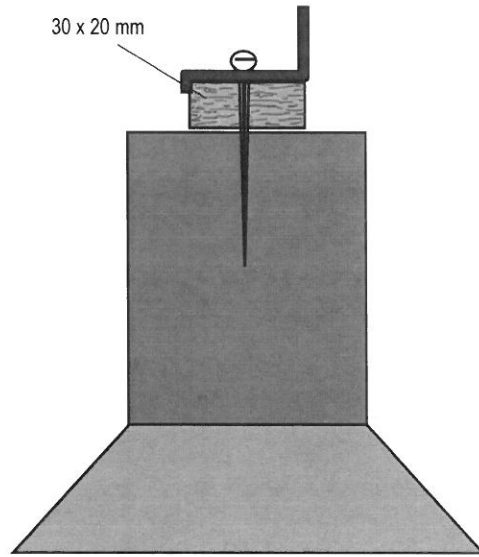
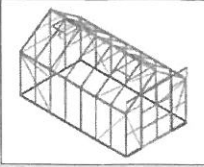
0



	5200	6500	7800
A	1901 mm	1901 mm	1901 mm
B	2544 mm	3166 mm	3788 mm

IDA 5200/6500/7800

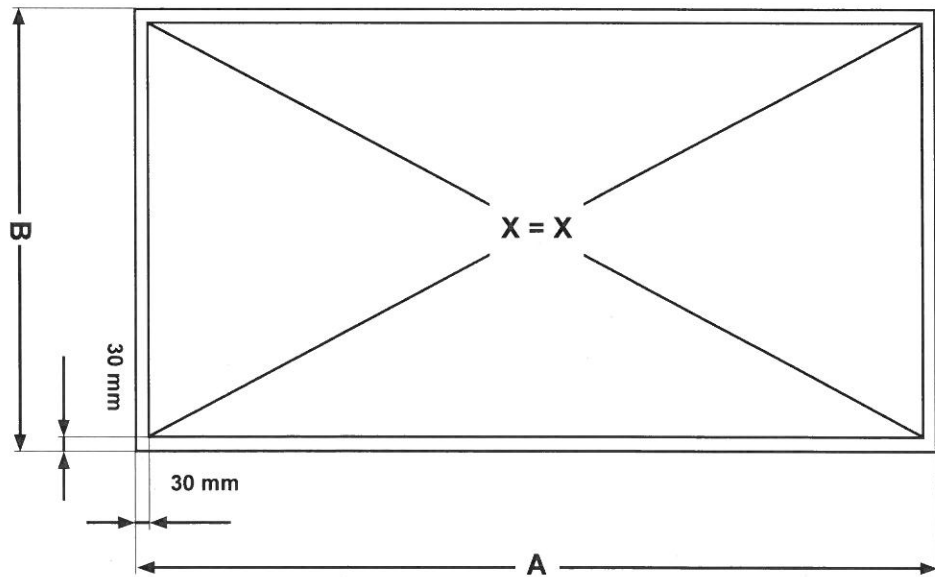
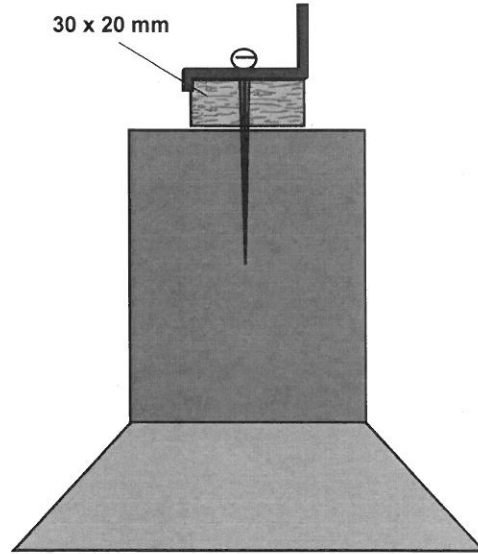
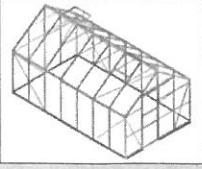
0



	6700	8300	9900	11500
A	2544 mm	3166 mm	3788 mm	4410 mm
B	2544 mm	2544 mm	2544 mm	2544 mm

URANUS

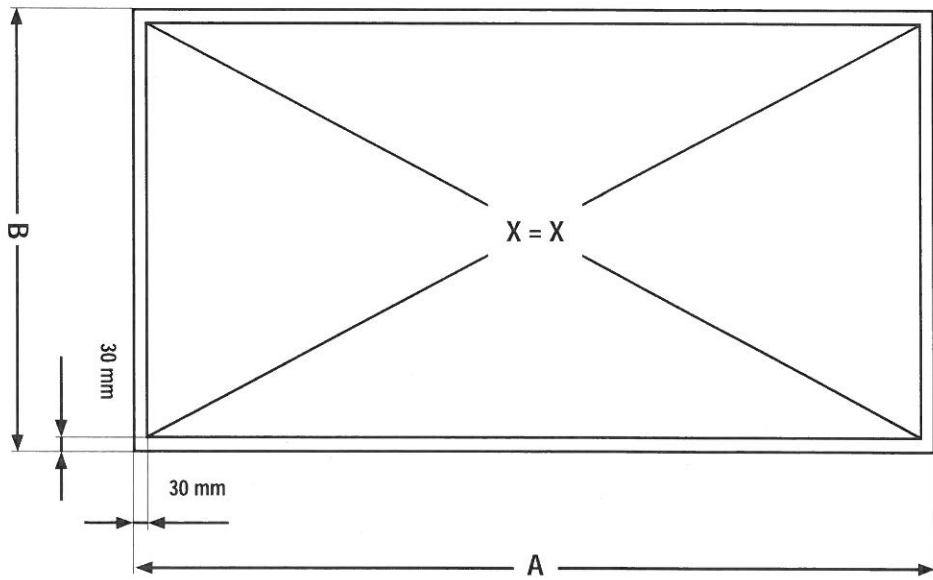
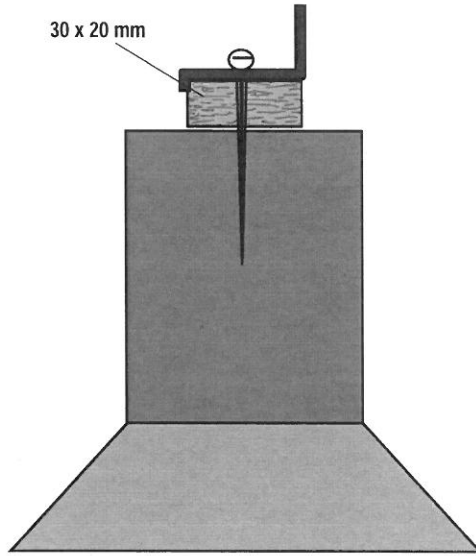
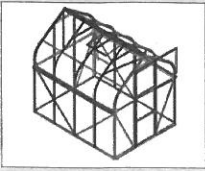
0



	6700	8300	9900	11500
A	2544 mm	3166 mm	3788 mm	4410 mm
B	2544 mm	2544 mm	2544 mm	2544 mm

MERKUR

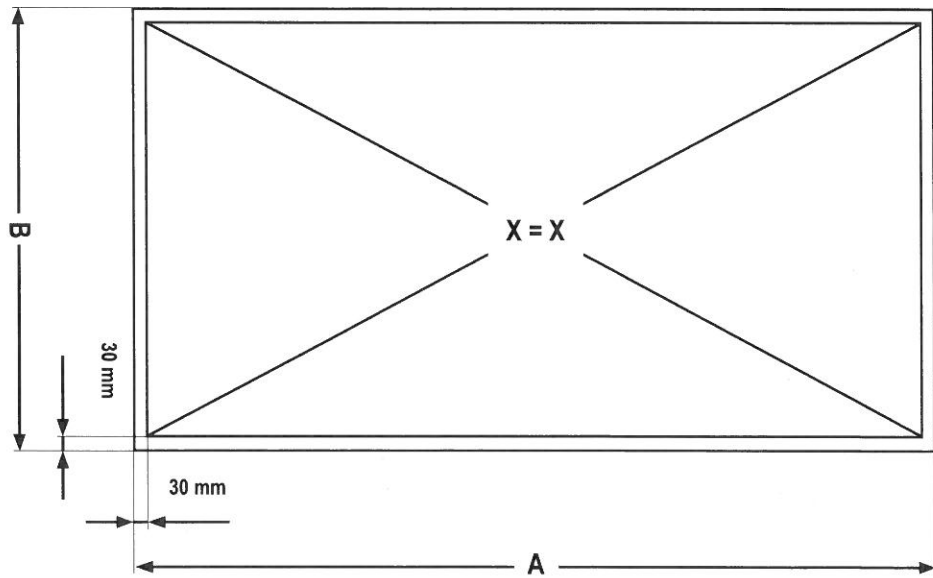
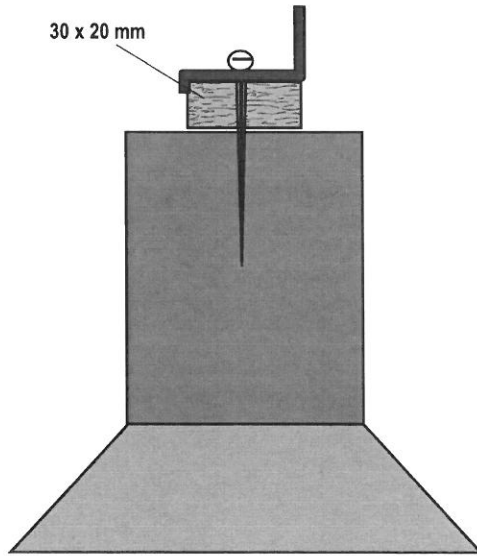
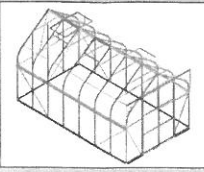
0



	3800	5000
A	1922 mm	2544 mm
B	1922 mm	1922 mm

ORION

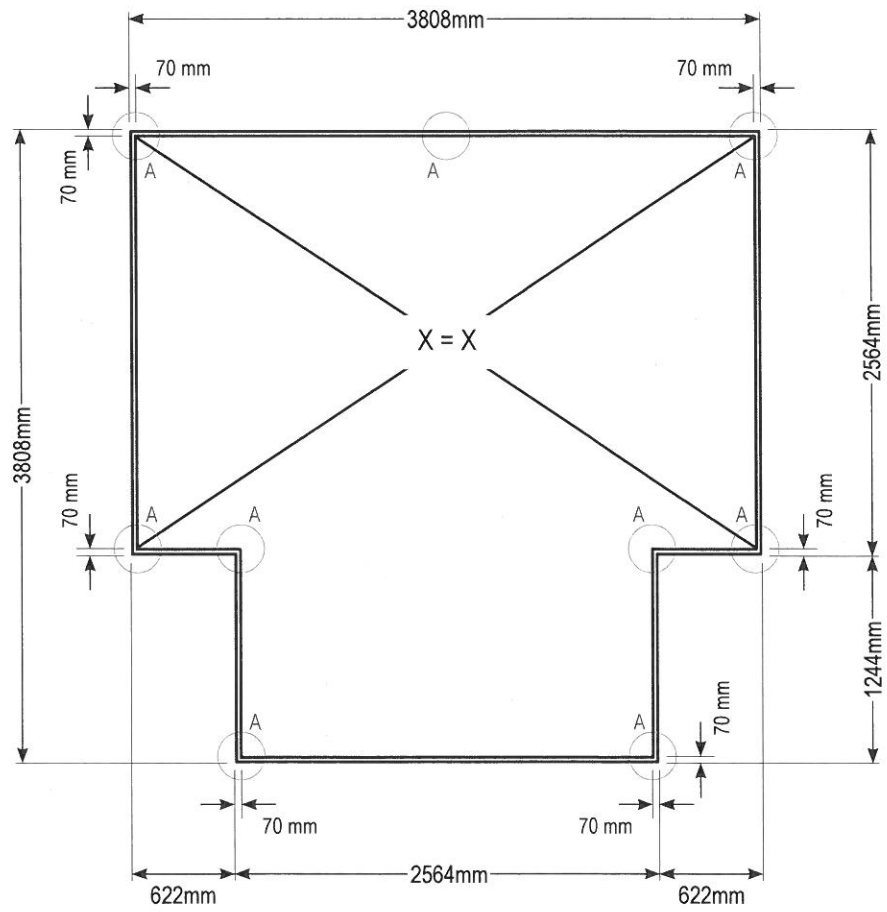
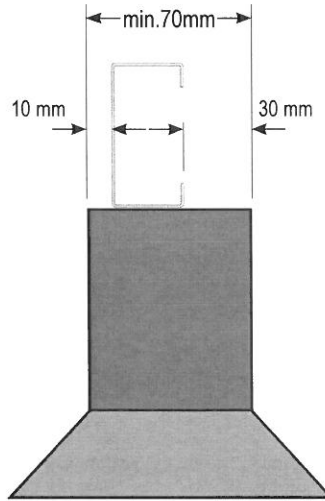
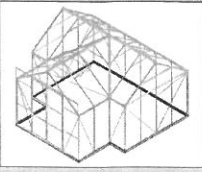
0



	5000	6700	8300	9900	11500
A	1922 mm	2544 mm	3166 mm	3788 mm	4410 mm
B	2544 mm	2544 mm	2544 mm	2544 mm	2544 mm

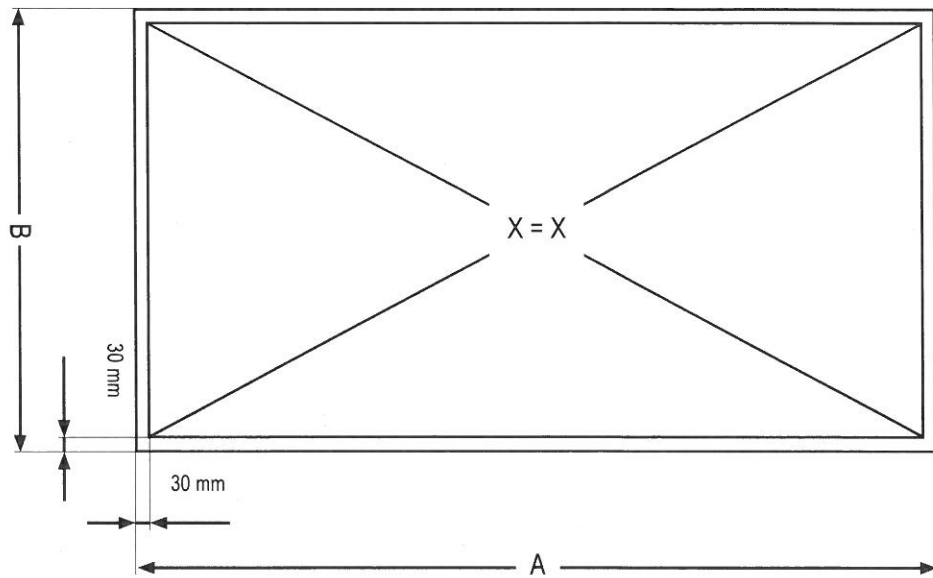
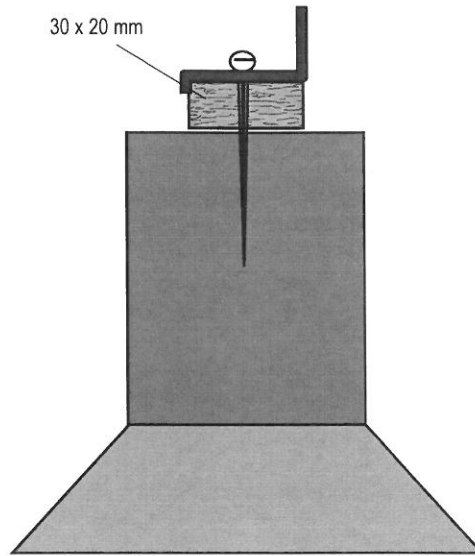
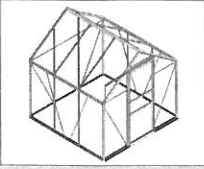
DIANA

0A



SIRIUS

0



	2500	3800	5000	6200	7500
A	1300 mm	1922 mm	2544 mm	3166 mm	3788 mm
B	1922 mm	1922 mm	1922 mm	1922 mm	1922 mm

VENUS